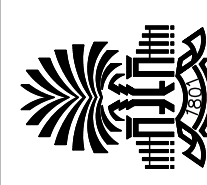


SEAL:	WCL
CHECKED BY:	WCL
ORIG. BY:	
DATE:	
DEM. DATE:	
DRAWN BY:	
DATE:	01DEC11
DRAWING:	CP00237866
DESCRIPTION:	
BUILDING:	
REV:	

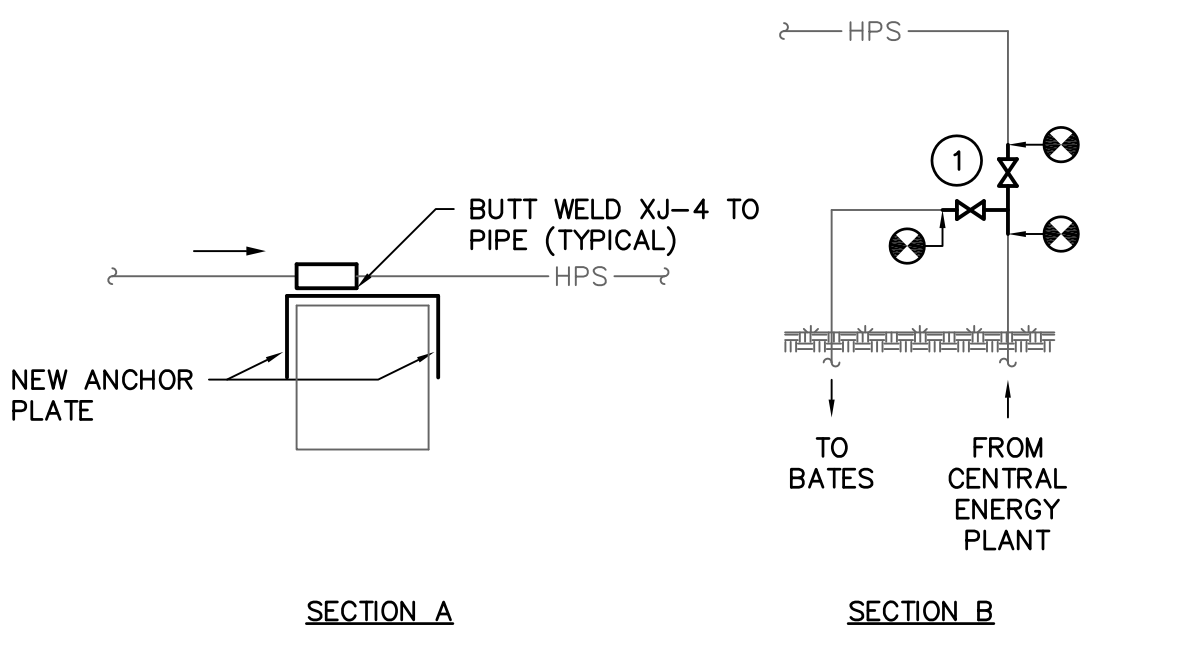
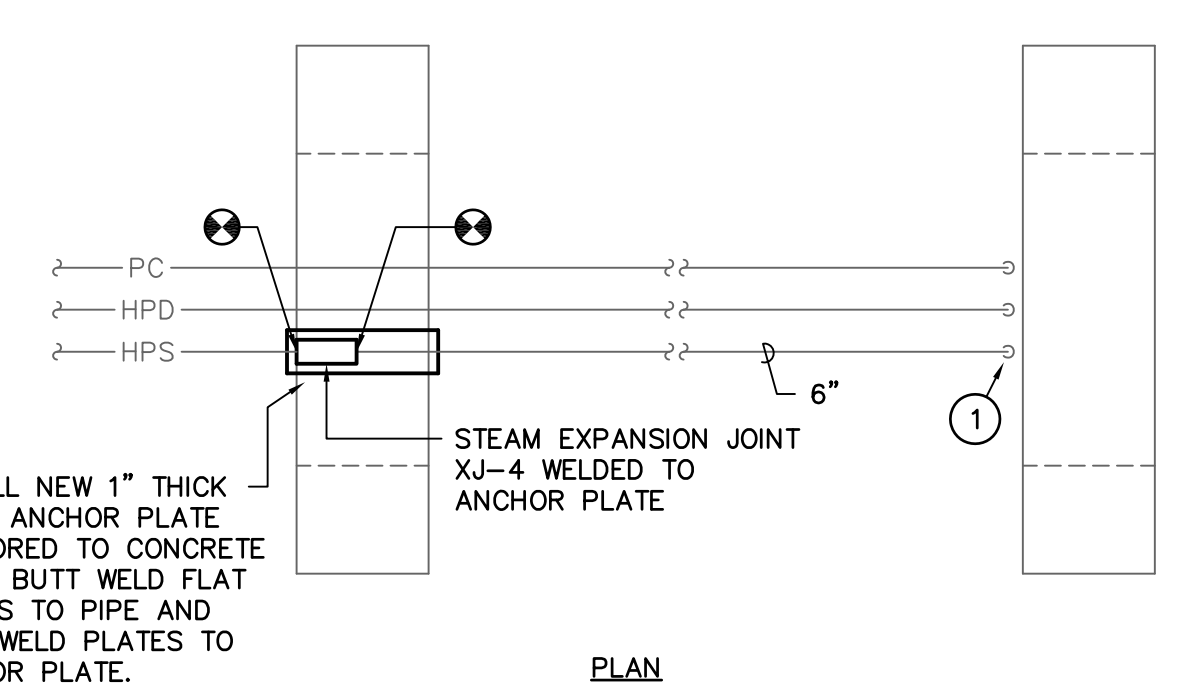
PROJECT TITLE: UTILITY INFRASTRUCTURE REPAIRS - 2012 WORK  
COLUMBIA CAMPUS - SP# H27-6043-NA-B

SHEET: M-3  
OF  
SHEET IN SET:

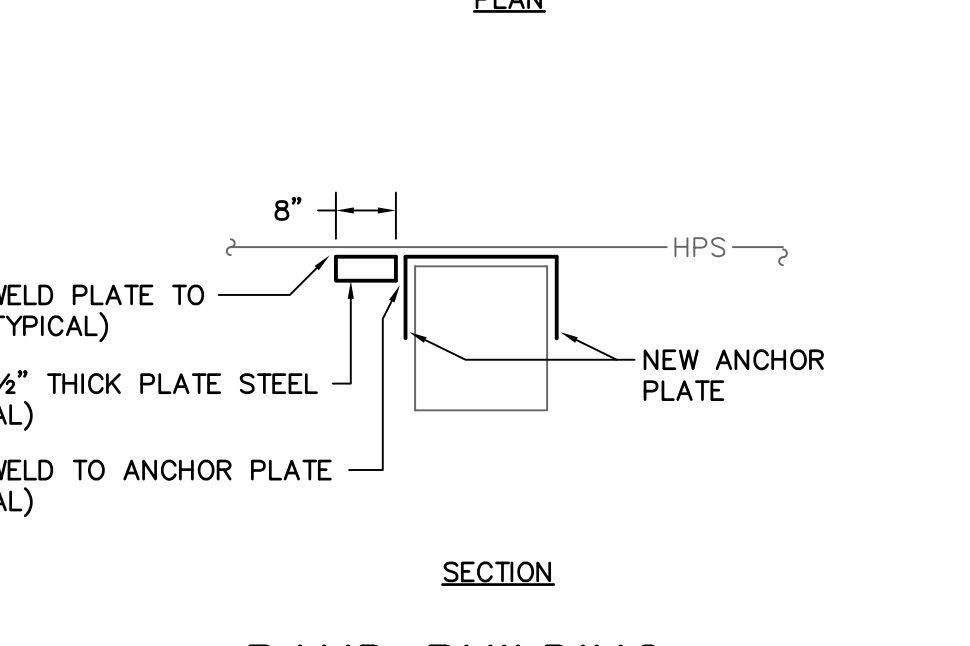
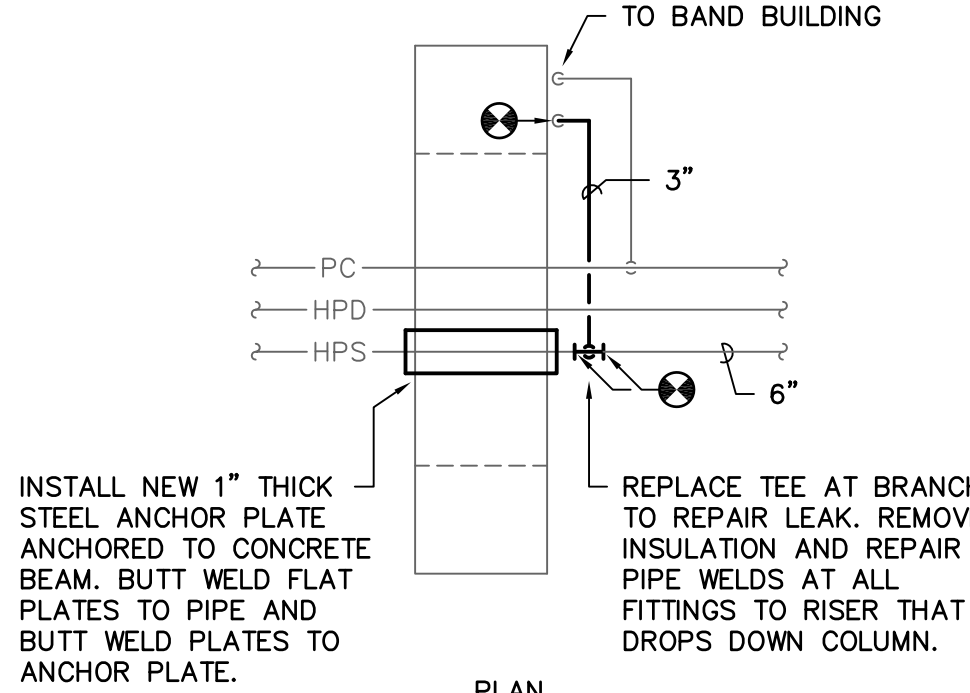
University of South Carolina



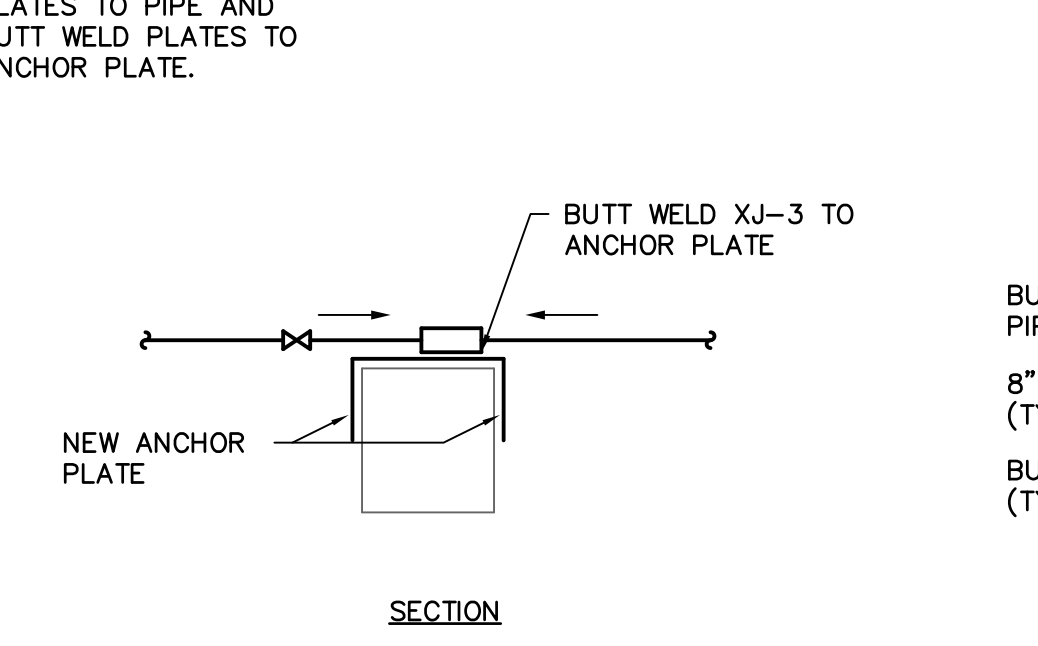
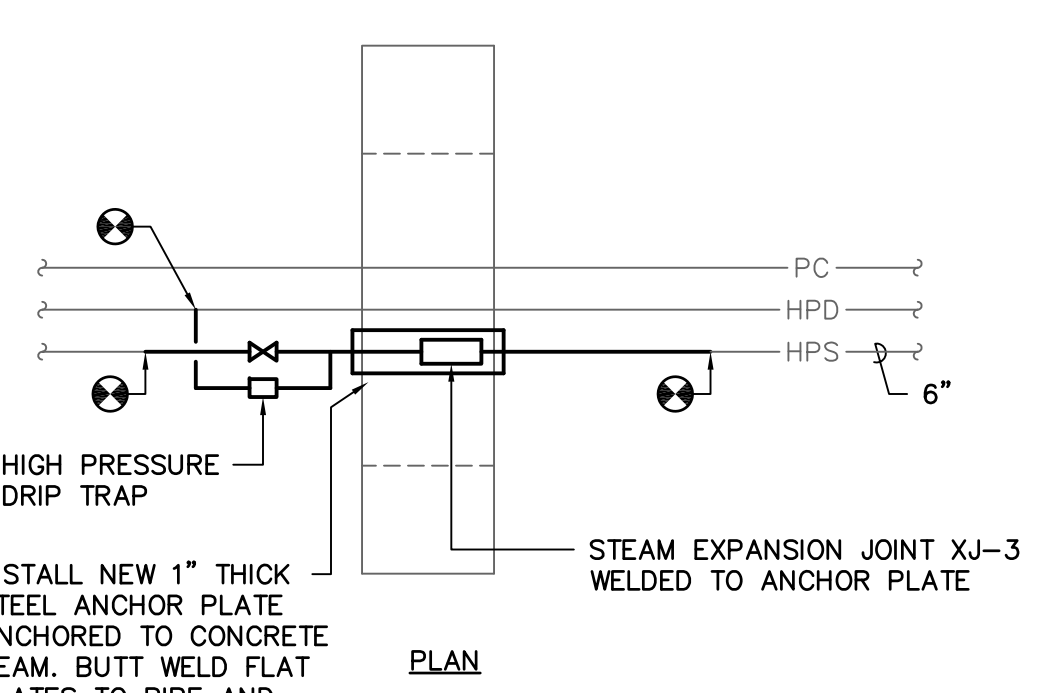
① REPLACE EXISTING STEAM VALVE IN MAIN PIPE AND IN BRANCH PIPE FEEDING BATES. REPLACE TEE AT BRANCH AND REPLACE VALVE IN BRANCH PIPE.



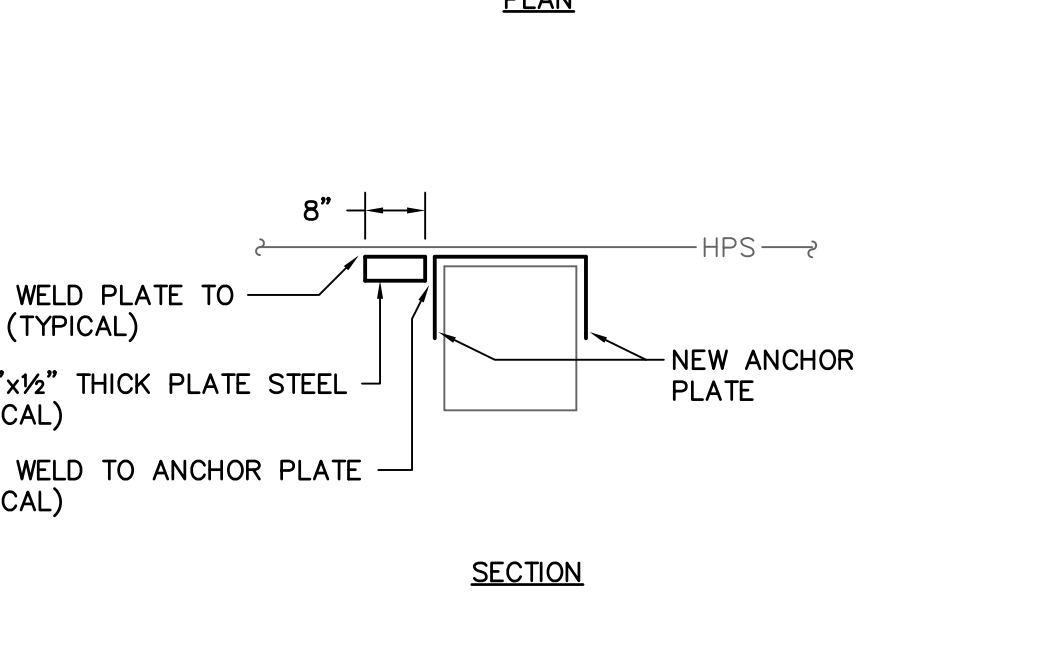
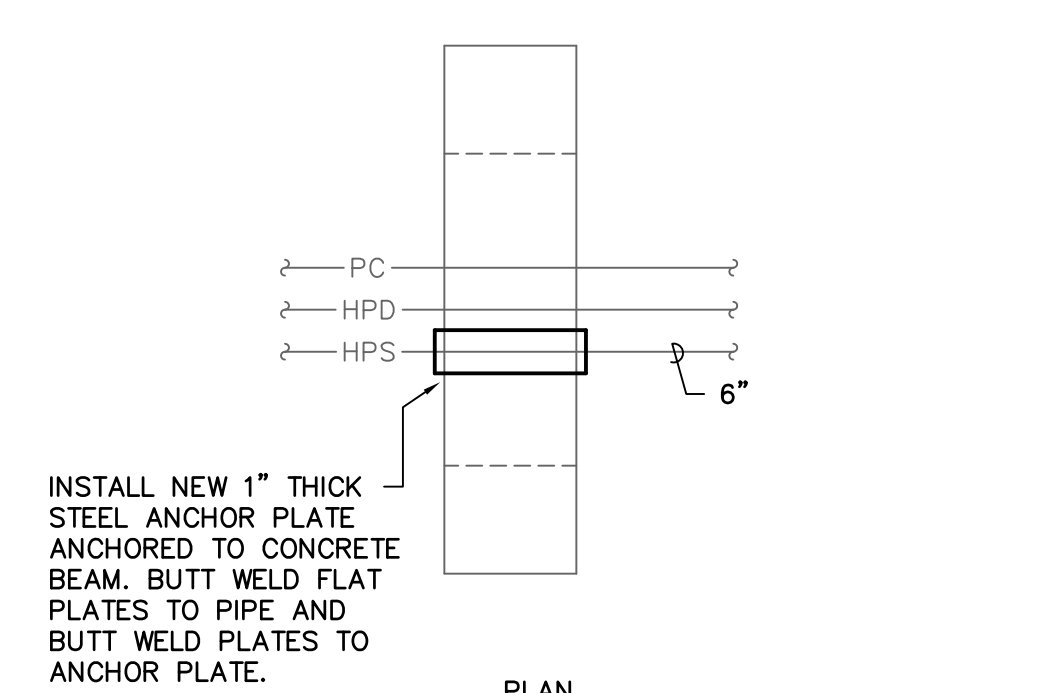
⑥ SOUTH EXPANSION JOINT DETAIL  
M-3 NO SCALE



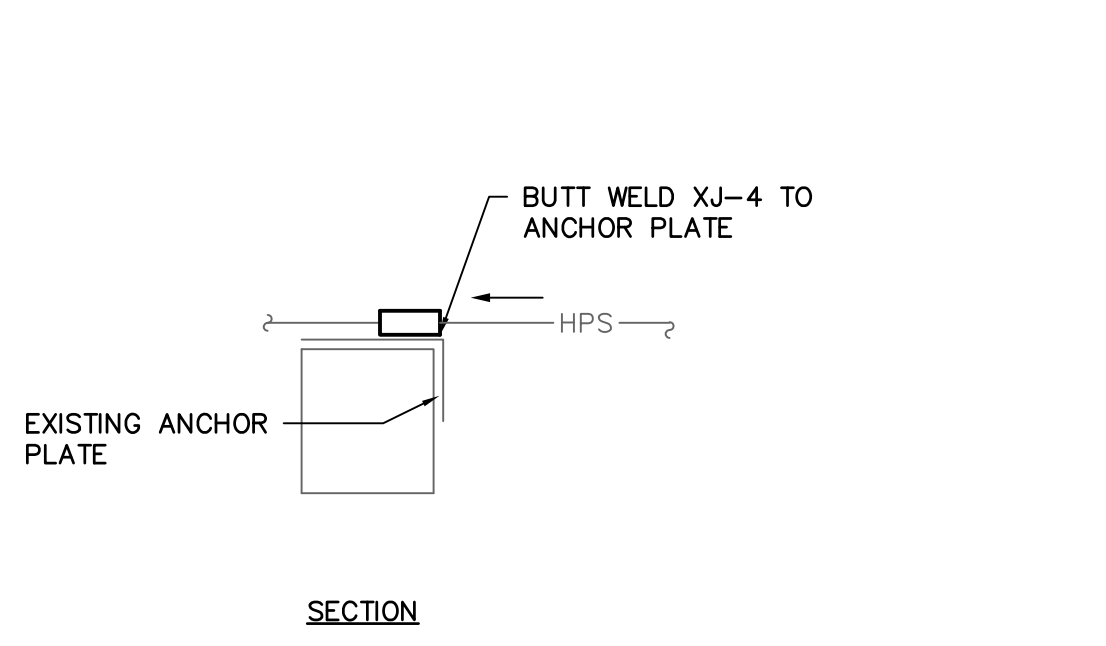
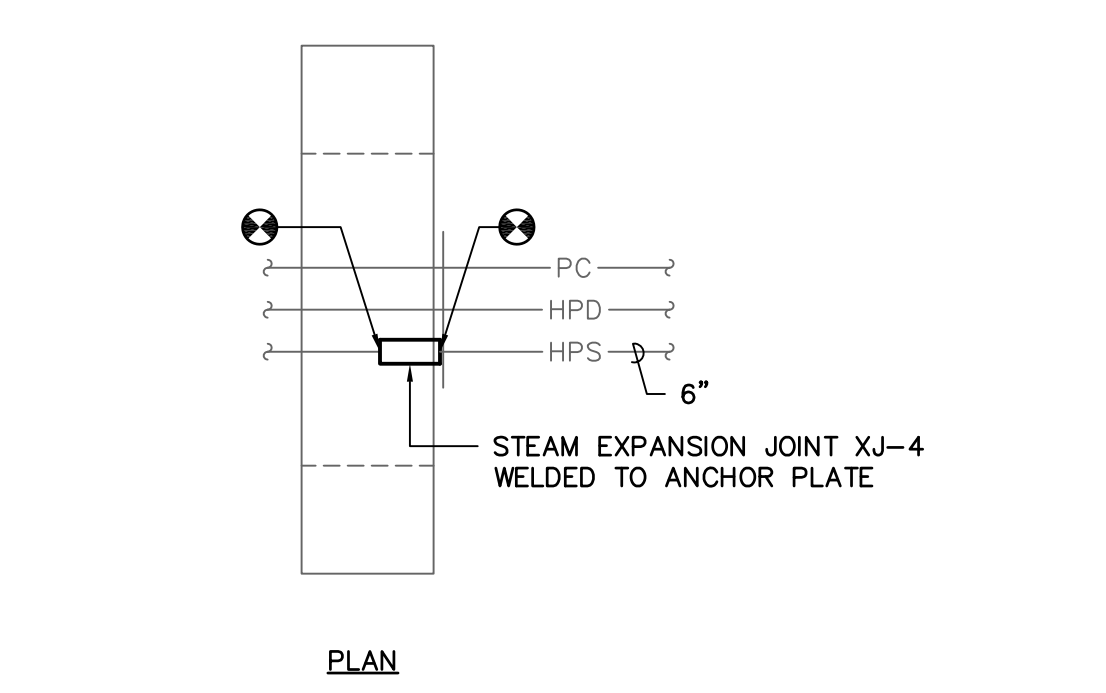
⑤ BAND BUILDING  
PIPE RISER DETAIL  
M-3 NO SCALE



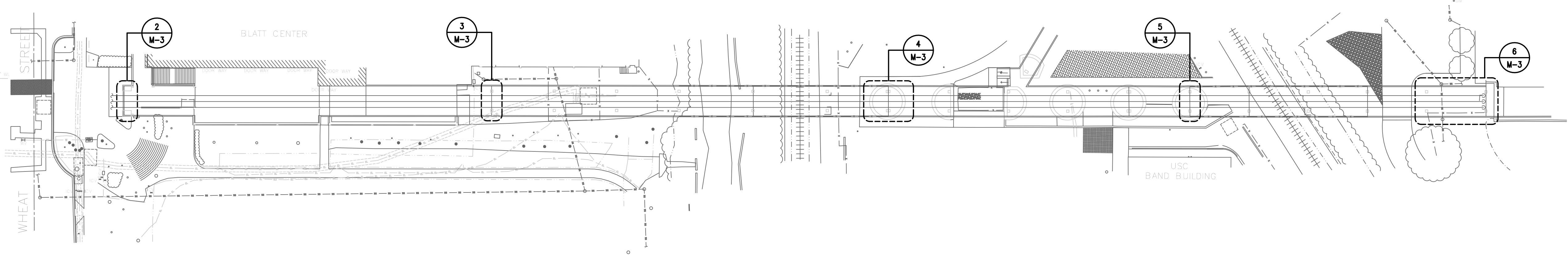
④ EXPANSION JOINT DETAIL  
M-3 NO SCALE



③ ANCHOR DETAIL  
M-3 NO SCALE



② NORTH EXPANSION JOINT DETAIL  
M-3 NO SCALE



① SITE PLAN - RENOVATION  
M-1 SCALE: 1" = 40'



Swygert & Associates  
CONSULTING ENGINEERS  
DBA Swygert & Assoc., Ltd. Telephone: (803) 791-9300  
Post Office Box 11888 Columbia, S.C. 29211 Fax: (803) 791-9830  
mail@swygert-associates.com